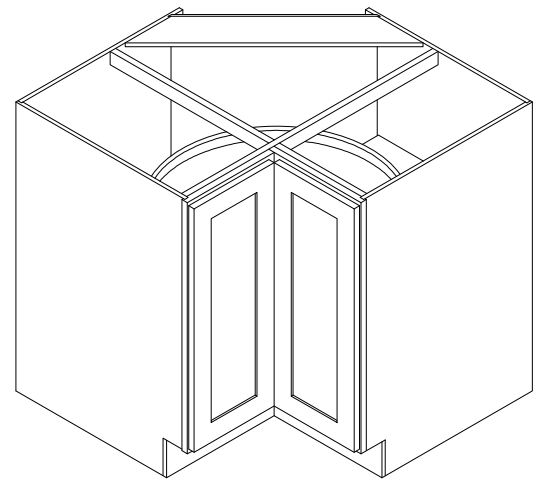




ASSEMBLY INSTRUCTIONS

BCF33-LS/BCF36-LS



Parts list

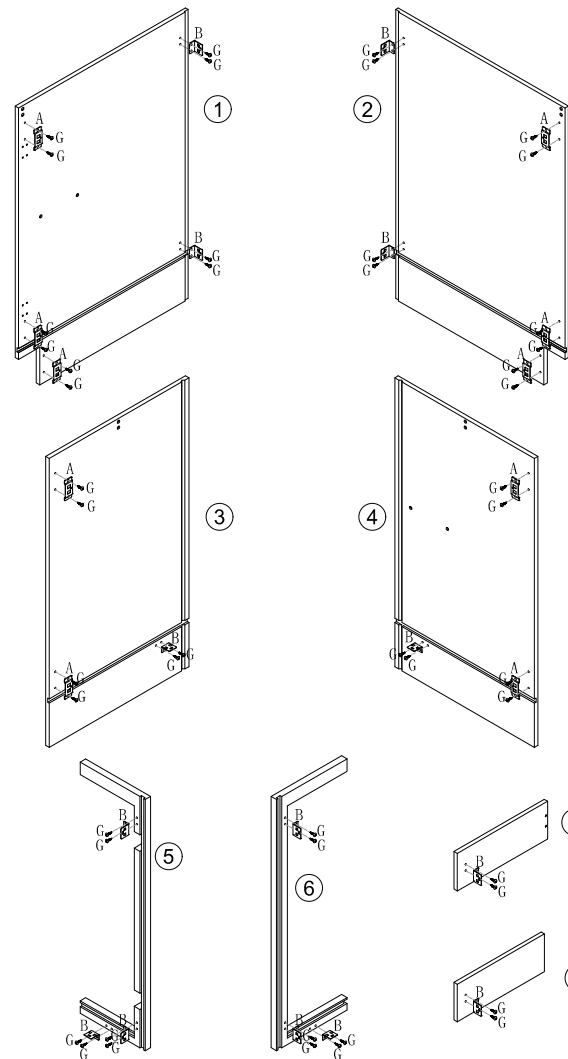
NO.	Parts	QTY
A		14
B		14
C		12
D		60
E		10
F		8
G		70

NO.	Parts	QTY
H		2
I		2
K		2
L		16

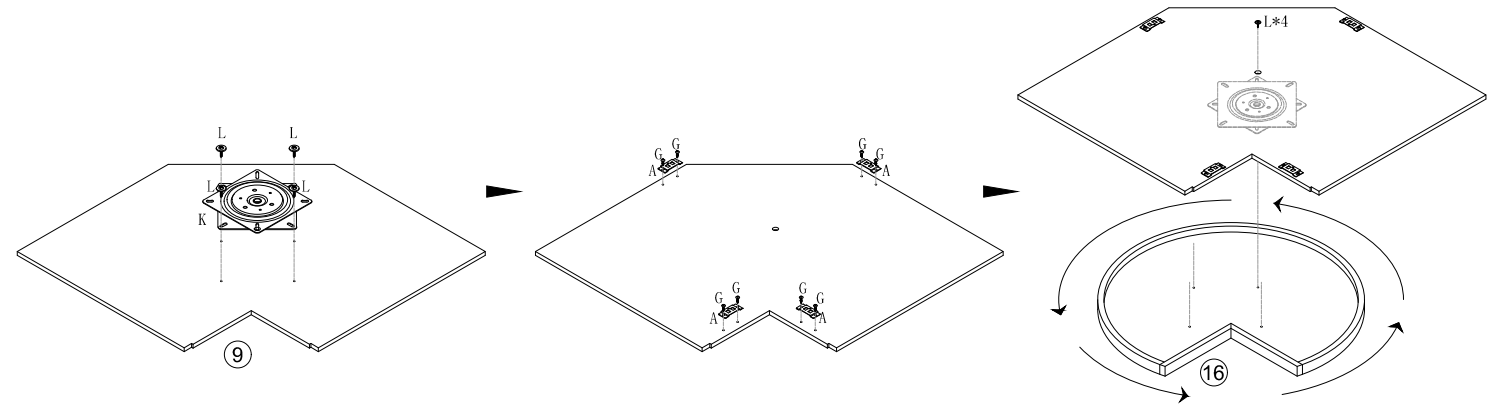
Tools
(required but not provided)



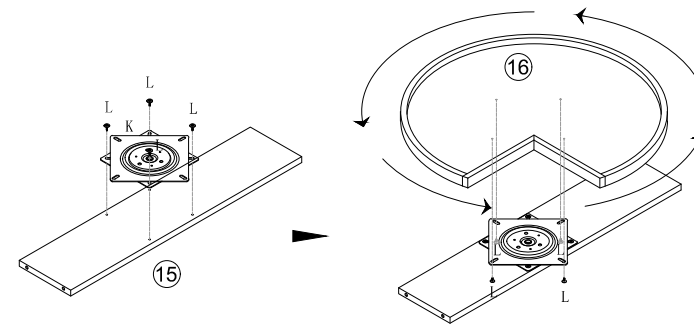
Step 1



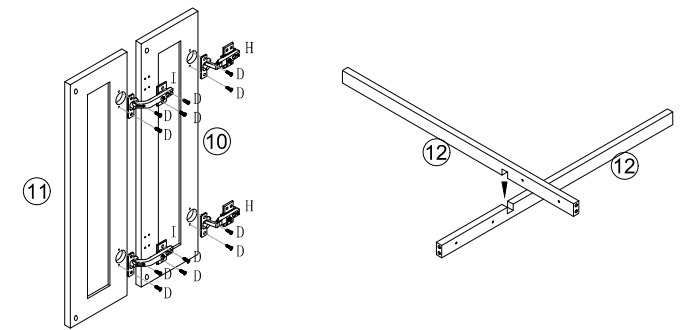
Step 2



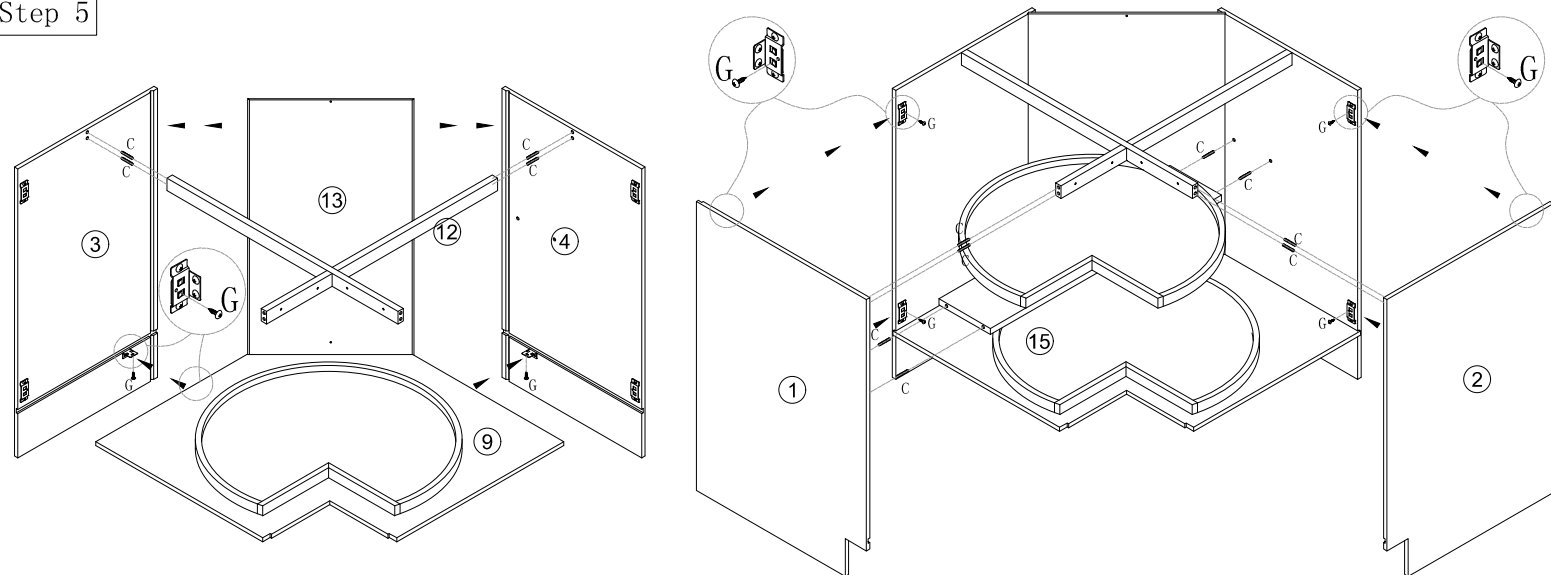
Step 3



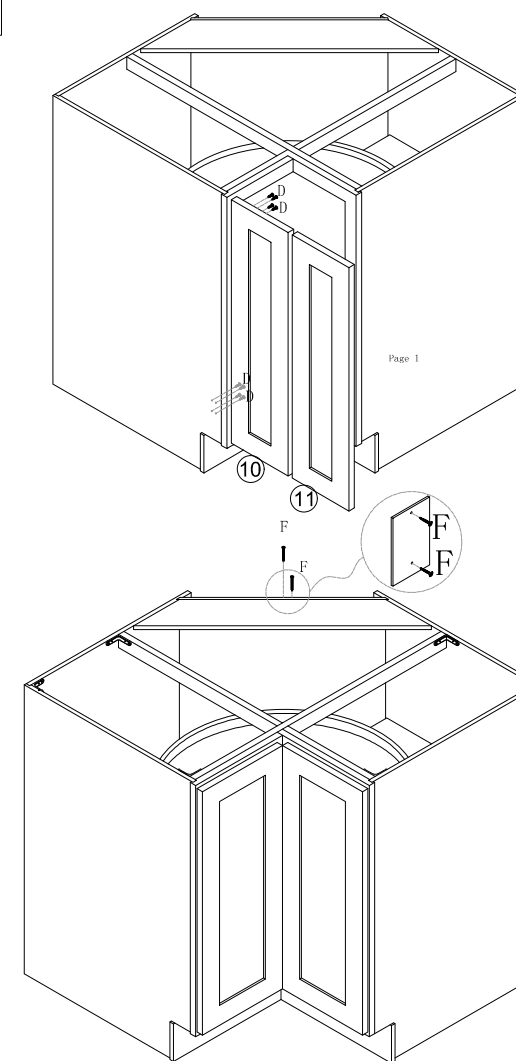
Step 4



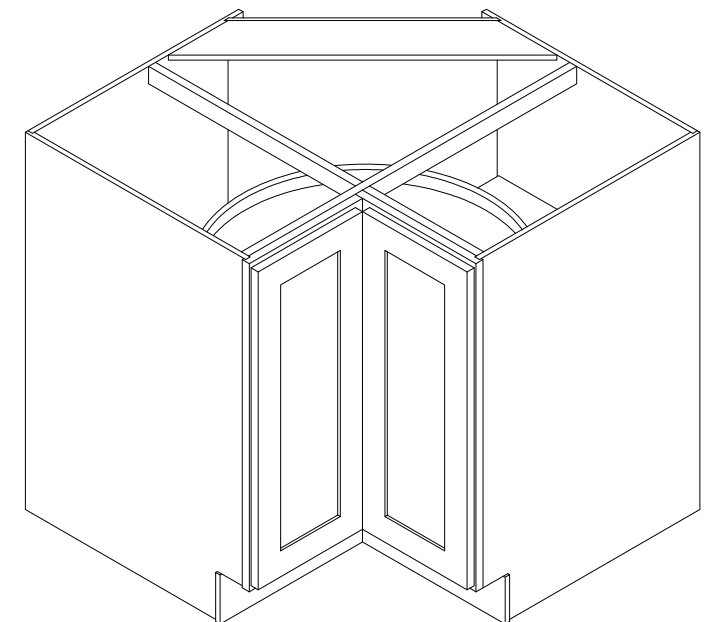
Step 5



Step 7



Finished



Step 6

